

### Vehicle Inspection Report

Date Inspected: 14/10/2019 10:15  
Inspected By:

**Reg:** KGZ5733

**VIN:** VF7SXHMRPJT612883

### Valuation

**Cap Clean** £7900  
**Cap Average** £7375

### NAMA Grading



Grade

**2**

Appraised By: Belfast City

### General Details

|                  |                       |                       |            |
|------------------|-----------------------|-----------------------|------------|
| <b>Make</b>      | Citroen               | <b>Transmission</b>   | Manual     |
| <b>Model</b>     | C3 2.0 Flair Puretech | <b>Date First Reg</b> | 17/07/2018 |
| <b>Body Type</b> | Hatchback             | <b>Doors</b>          | 5          |
| <b>Mileage</b>   | 19,946 miles          | <b>Colour</b>         | White      |
| <b>Fuel Type</b> | Petrol                | <b>Year of MFR</b>    | 2018       |

### Tyres & Wheels

|                  |   |                      |             |
|------------------|---|----------------------|-------------|
| <b>OSF Depth</b> | 3 | <b>Wheel Trims</b>   |             |
| <b>NSF Depth</b> | 3 | <b>Alloys</b>        | Yes         |
| <b>OSR Depth</b> | 5 | <b>Spare</b>         | Space Saver |
| <b>NSR Depth</b> | 5 | <b>Tyre Comments</b> |             |

### Interior Condition

|                   |         |
|-------------------|---------|
| <b>Carpets</b>    | Average |
| <b>Upholstery</b> | Average |
| <b>Seats</b>      | Average |
| <b>Odour</b>      | No      |
| <b>Comments</b>   |         |

### Miscellaneous

|                    |     |
|--------------------|-----|
| <b>V5 Location</b> | T/F |
| <b>No. Keys</b>    | 2   |

### Extras

|                       |        |                     |     |                          |     |               |    |
|-----------------------|--------|---------------------|-----|--------------------------|-----|---------------|----|
| <b>Interior</b>       | Cloth  | <b>Air</b>          | Yes | <b>Sun Roof</b>          | No  | <b>Xenons</b> | No |
| <b>Seats</b>          | Manual | <b>Conditioning</b> |     | <b>Front Park Assist</b> | No  |               |    |
| <b>Cruise Control</b> | Yes    | <b>Climate</b>      | Yes | <b>Rear Park Assist</b>  | Yes |               |    |
|                       |        | <b>Sat Nav</b>      | No  |                          |     |               |    |

### Service History

**Service History**  
Stamps

### Photos





Damage Assessment



**Bumper Rear**

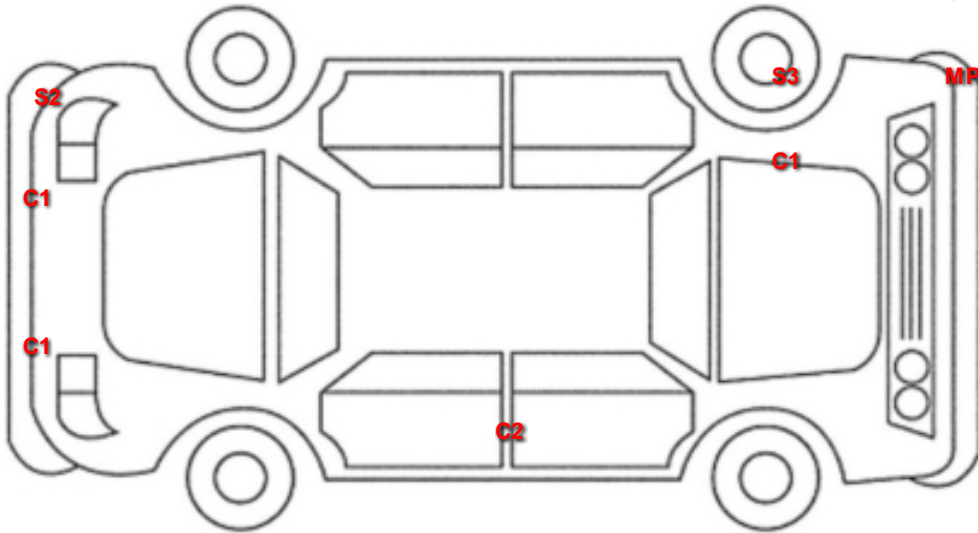
Scratched

Over 100mm

Thru Paint

Refinish

Vehicle Splat



Splat Key

- S2**  
Scratch/Paint defect 30-100mm
- S3**  
Scratch/Paint defect 100m +
- C1**  
Single Chip
- C2**  
Multiple Chips
- MP**  
M/Polish

Comments