

### Vehicle Inspection Report

Date Inspected: 14/10/2019 10:15  
Inspected By:

**Reg:** KGZ5745

**VIN:** VF7SXHMRPJT615957

### Valuation

**Cap Clean** £7625  
**Cap Average** £7100

### NAMA Grading



Grade

**2**

Appraised By: Belfast City

### General Details

<b>Make</b>	Citroen	<b>Transmission</b>	Manual	<b>Taxi/PH</b>	No
<b>Model</b>	C3 2.0 Flair Puretech	<b>Gears</b>	5		
<b>Body Type</b>	Hatchback	<b>Date First Reg</b>	19/07/2018		
<b>Mileage</b>	26,083 miles	<b>Doors</b>	5		
<b>Fuel Type</b>	Petrol	<b>Colour</b>	Grey		
		<b>Year of MFR</b>	2018		

### Tyres & Wheels

<b>OSF Depth</b>	2	<b>Wheel Trims</b>	
<b>NSF Depth</b>	5	<b>Alloys</b>	Yes
<b>OSR Depth</b>	4	<b>Spare</b>	Space Saver
<b>NSR Depth</b>	4	<b>Tyre Comments</b>	

### Interior Condition

<b>Carpets</b>	Average
<b>Upholstery</b>	Average
<b>Seats</b>	Average
<b>Odour</b>	No
<b>Comments</b>	

### Miscellaneous

<b>V5 Location</b>	T/F
<b>No. Keys</b>	2

### Extras

<b>Interior</b>	Cloth	<b>Air</b>	Yes	<b>Sun Roof</b>	No	<b>Xenons</b>	No
<b>Seats</b>	Manual	<b>Conditioning</b>		<b>Front Park Assist</b>	No		
<b>Cruise Control</b>	Yes	<b>Climate</b>	Yes	<b>Rear Park Assist</b>	Yes		
		<b>Sat Nav</b>	No				

### Service History

**Service History**  
Stamps

### Photos





Damage Assessment



**Bumper Rear**

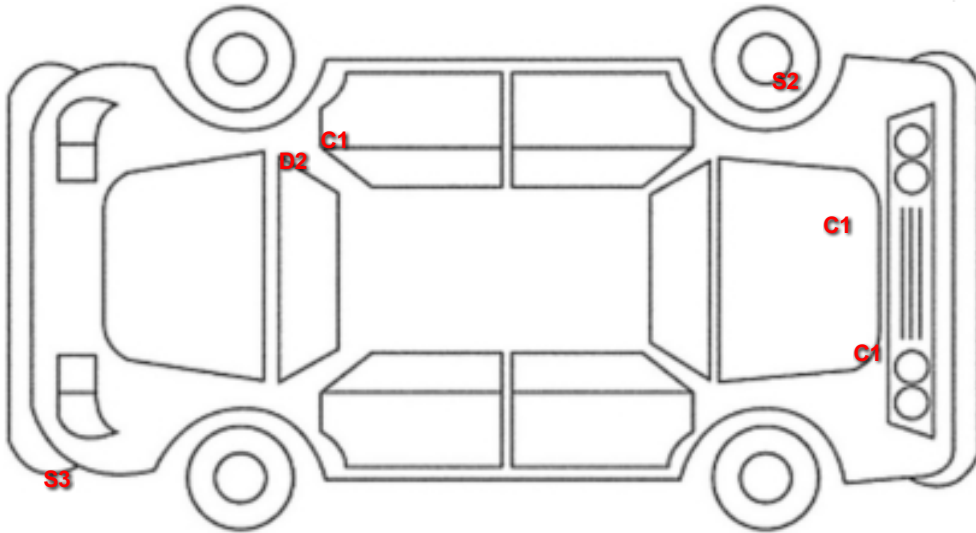
Scratched

Over 100mm

Thru Paint

Refinish

Vehicle Splat



Splat Key

- S2**  
Scratch/Paint defect 30-100mm
- S3**  
Scratch/Paint defect 100m +
- D2**  
Dent/damage 30-100mm
- C1**  
Single Chip

Comments