

Vehicle Inspection Report

Date Inspected: 17/04/2019 12:07
Inspected By: 01

Reg: PE17EBJ

VIN: VF7VBBHXHHZ013189

Valuation

Cap Clean £12500
Cap Average £11800

NAMA Grading



Grade

3

Appraised By: CAG Rockingham

General Details

Make Citroen	Transmission Manual
Model Dispatch 1000 1.6 BlueHDi 115	Gears 6
Body Type Van	Date First Reg 22/03/2017
Mileage 6,477 miles	Doors 3
Fuel Type Diesel	Colour Black
	Year of MFR 2017

Tyres & Wheels

OSF Depth Average	Wheel Trims
NSF Depth Average	Alloys No
OSR Depth Average	Spare
NSR Depth Average	Tyre Comments

Interior Condition

Carpets Average
Upholstery Average
Seats Average
Odour No
Comments

Miscellaneous

Extras

Interior Half Leather	Air Conditioning Yes	Sun Roof No	Xenons No
Seats Manual	Climate No	Front Park Assist No	Towbar No
Cruise Control Yes	Sat Nav No	Rear Park Assist Yes	Keyless Entry No
Bluetooth No			

Service History

Service No History Stamps

Photos



Damage Assessment



Bumper Front Moulding
 Scuffed (Unpainted)
 Over 100mm
 Smart Repair



Qtr Panel nsr
 Dented
 Over 30mm
 Repair and Refinish



Bumper Rear
 Scratched
 25 to 100mm Thru Paint
 Smart Repair

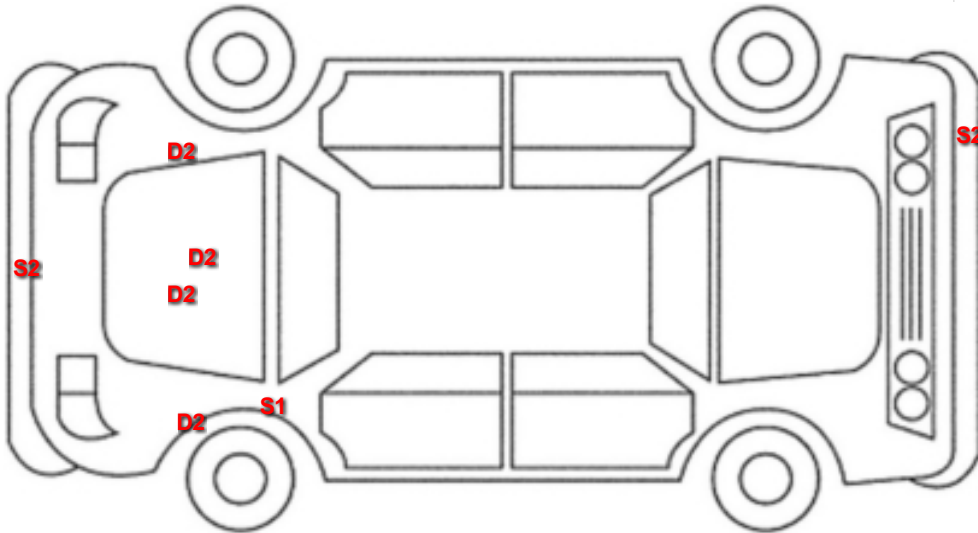


Tailgate
 Dented
 Over 30mm
 Repair and Refinish



Qtr Panel osr
 Dented
 With Paint Damage
 Repair and Refinish

Vehicle Splat



Splat Key

- S1**
Scratch/Paint defect to 30mm
- S2**
Scratch/Paint defect 30-100mm
- D2**
Dent/damage 30-100mm

Comments

Empty text area for comments.